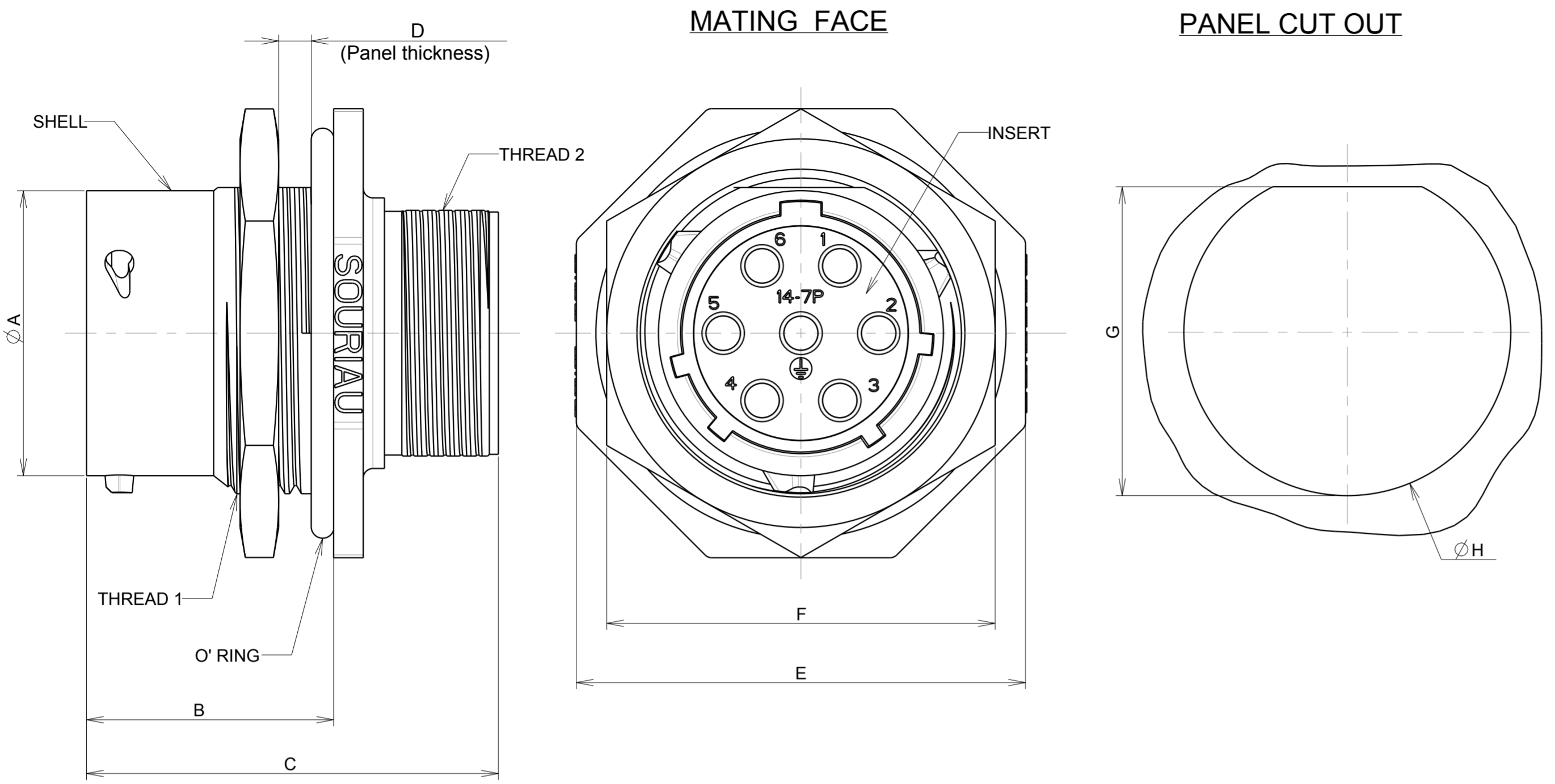


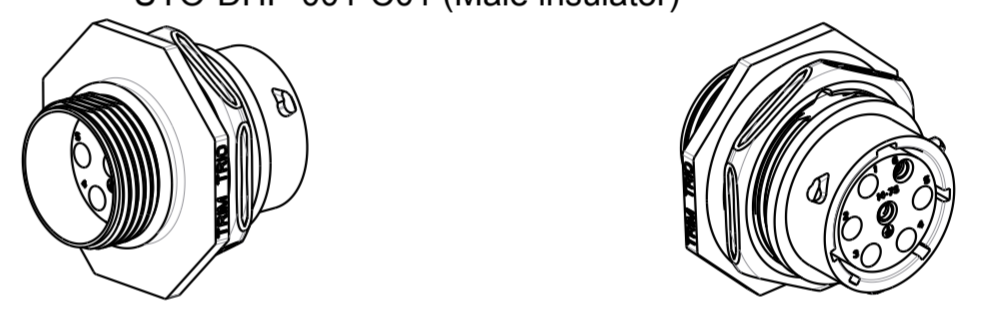
C.2: Validé



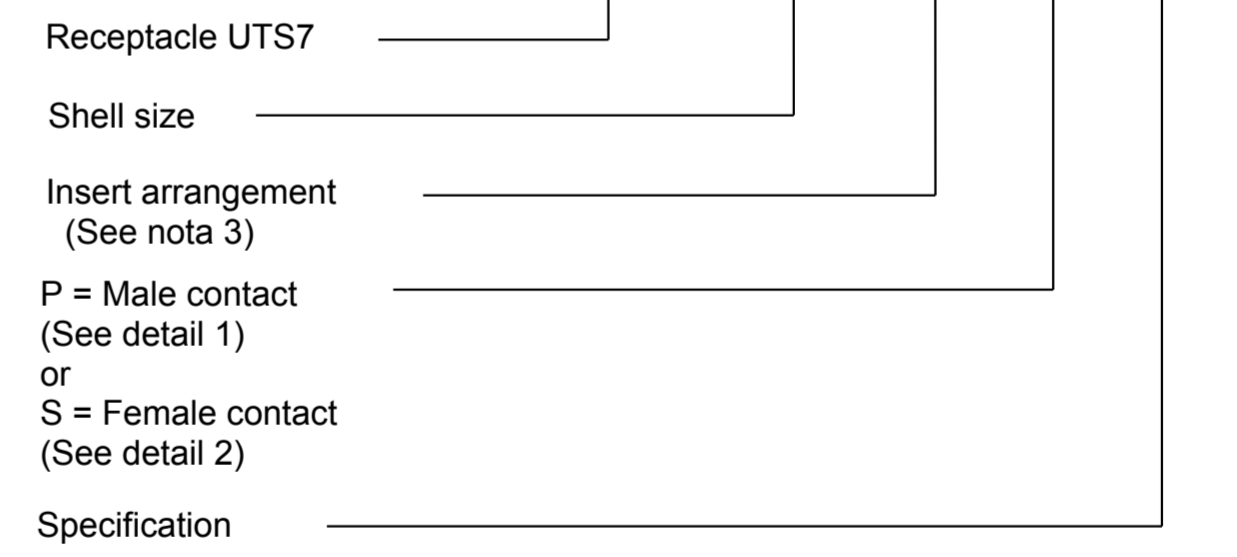
MATERIAL :
 Shell : Polyamid UL94 V-0
 Insert : Polyamid UL94 V-0
 Seal gasket : Sealing IP68/69K : Silicone
 O'ring : nitril
 Nut : Aluminium alloy black anodized

PERFORMANCE CHARACTERISTICS :
 Operating temperature : -40° C up to 105° C
 Insulation resistance : 5000 MΩ min
 Test potential : 2000 Vrms for #16 layout and 1500Vrms for #20 layout
 Corrosion salt spray : 500 hours
 Durability : 250 matings and unmatings
 Sealing in mated conditions:
 -IP68 1 bar during 1 week : immersion under 10 m of water.
 (IEC 60529)
 -IP69K : exposure to high pressure water of cleaning
 equipement (DIN 40050)

NOTES :
 -1-Contact to be ordered separately :refer to TRIM TRIO catalog
 -2-Colored ring to be ordered separately refer to customer drawing
 C005-UTS1-A
 -3-Insert arrangements:refer to :
 UTO-CONTACT-L-C02 (Female insulator)
 UTO-DHP-002-C01 (Female insulator)
 UTO-CONTACT-L-C01 (Male insulator)
 UTO-DHP-001-C01 (Male insulator)

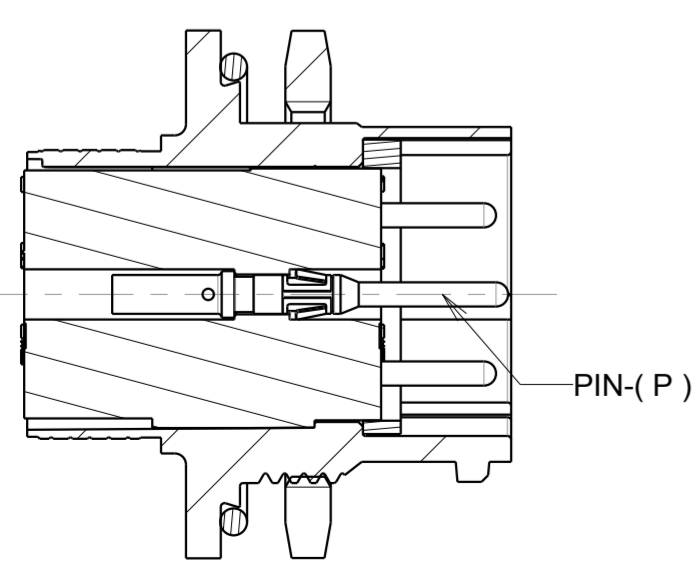


UTS7 14 7 P XX

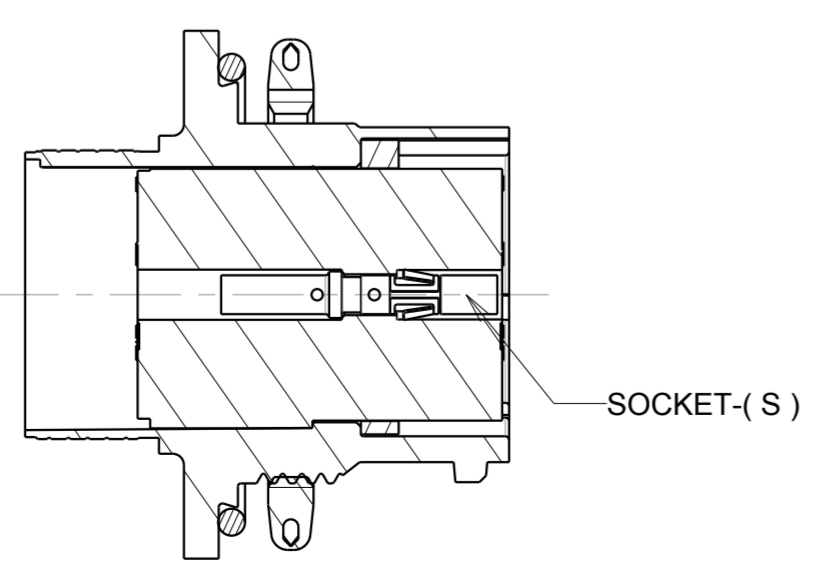


SHELL SIZE	THREAD 1	THREAD 2	∅A±0.15	B±0.2	C MAX.	D MAX.	E±0.25	F±0.3	G	∅H
10	11/16 24 UNEF CLASS 2A	9/16 24 UNEF CLASS 2A	14.90	19.30	33.90	3.20	27.00	22.20	16.45 ^{+0.2} ₀	17.30 ^{+0.25} ₀
12	7/8 20 UNEF CLASS 2A	11/16 24 UNEF CLASS 2A	19.00	19.30	33.90	3.20	31.80	27.00	20.85 ^{+0.3} ₀	22.10 ^{+0.3} ₀
14	1"20 UNEF CLASS 2A	13/16 20 UNEF CLASS 2A	22.20	19.30	33.90	3.20	34.90	30.20	24.00 ^{+0.3} ₀	25.40 ^{+0.3} ₀
18	1"1/4 18 UNEF CLASS 2A	1"1/16 18 UNEF CLASS 2A	28.5	19.30	33.90	3.20	41.30	36.60	30.20 ^{+0.3} ₀	31.70 ^{+0.3} ₀

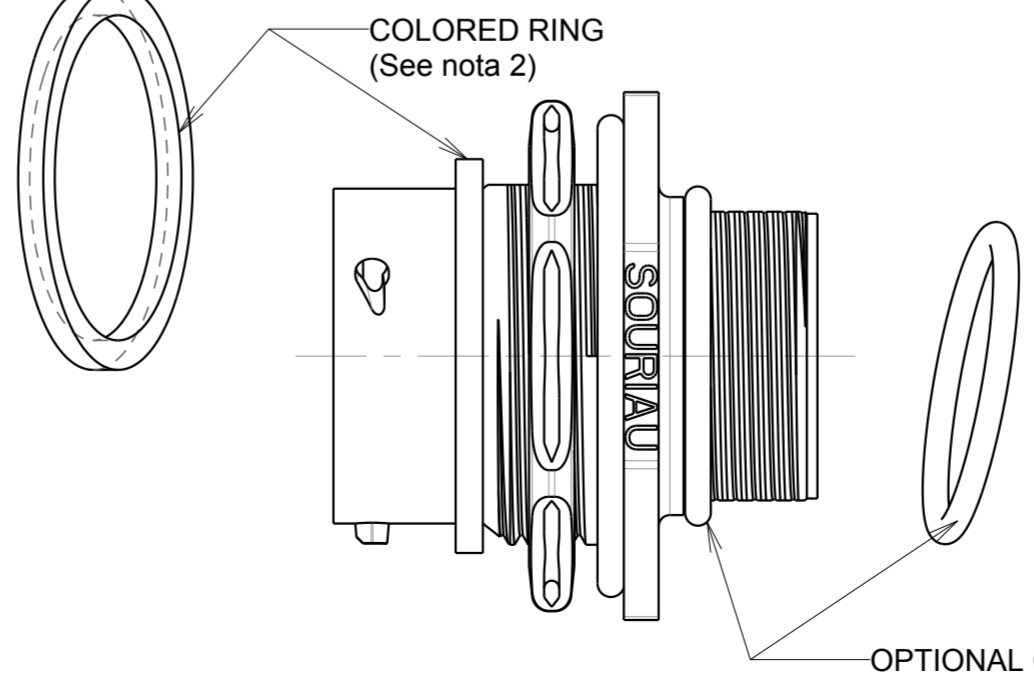
MALE CONNECTOR
(Detail 1)



FEMALE CONNECTOR
(Detail 2)



OPTIONAL PARTS



Country	Jurisdiction & Control List
FR	NOT LISTED

P/N : UTS7xxxxP/Sxx

C	08/03/2016	Delete drawing C008-UTS1-A/C007-UTS1-A/UT0W-CONTACT-L-C01 and ...C02- Change dimensions of panel cut out	—
ISS	DATE	Latest modification - by:	MOD N°
Designed by: SORIN.V		Date: 05/04/06	CUSTOMER DRAWING
TITLE		JAM NUT RECEPTACLE UTS CONNECTOR	
Scale	1/1	General linear Tolerances: ± --	NPRDS / PROJECT UTS1
SOURIAU		WWW.SOURIAU.COM	
This document is the property of SOURIAU. It must not be reproduced or communicated without permission.			1
FORMAT	SOURIAU DRG N°		SHEET
A2	C001-UTS1-A		1/1